

**SERVICE**



**BULLETIN**



## **Электрическая принципиальная схема подключения блока управления автомобилем VECU**

**двигатель Mack MIDR 06.24.65 установленные на  
грузовых автомобилях  
Renault Magnum E-TECH 400, 440, 480**

**Видео инструкции по ремонту данного двигателя и все запчасти для него**

**на сайте: [www.renault-magnum.ru](http://www.renault-magnum.ru)**

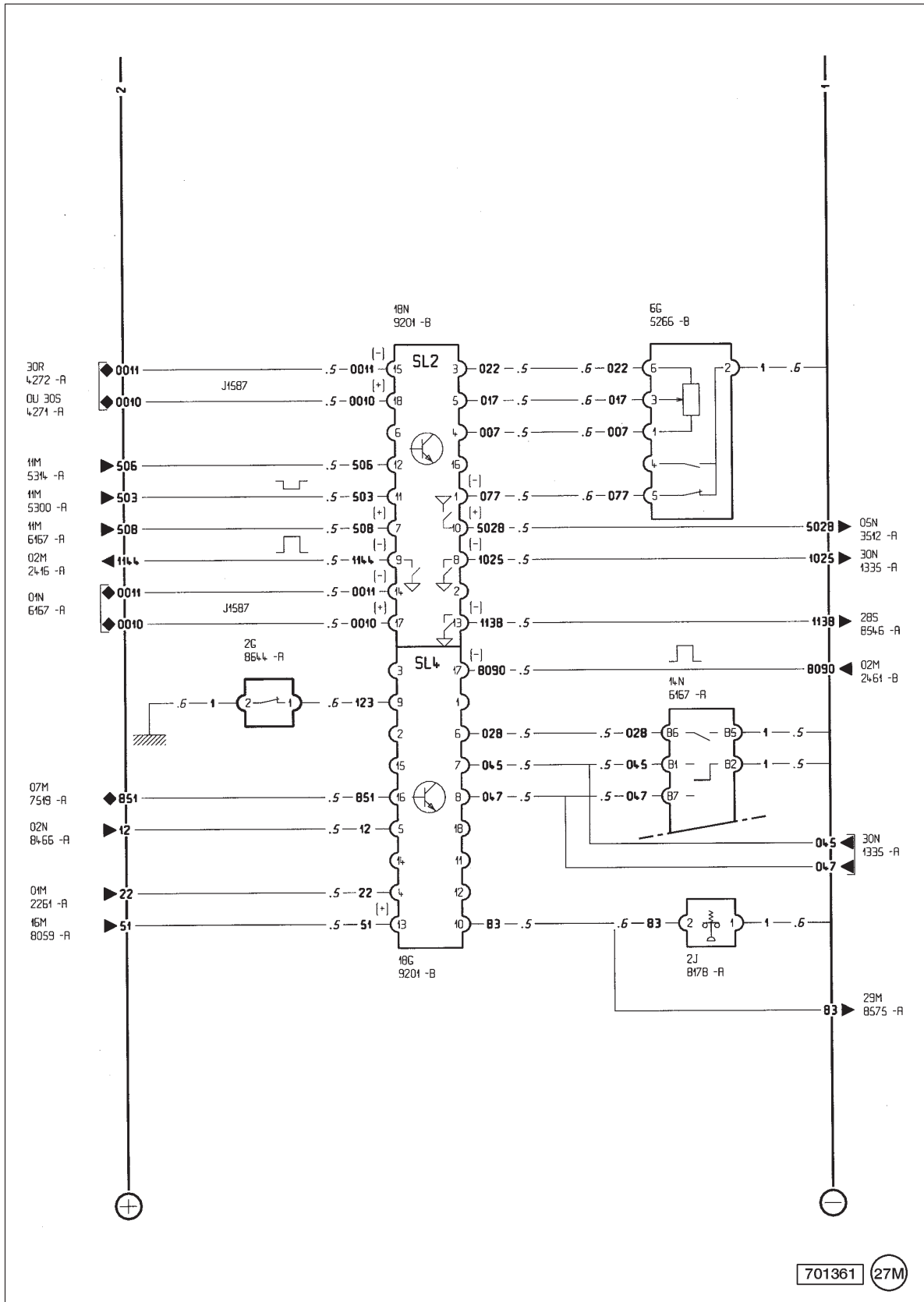


B122 **70 116****VEHICLE MASTER ECU**

<b>Appliance</b>	<b>Plate</b>	<b>Localisation</b>
1335 – Bodybuilder available power supplies connector	(30N)	C5d
2261 – Steering lock and starting control	(01M/N//08R)	C2b
2416 – Preheating relay N°2	(02M)	B3d
2461 – Engine preheating control	(02M)	C2c
3512 – Stop lights relay	(05N)	B2c
4271 – Onboard management prearrangement (ECU)	(002//08R//30S)	C4c
4272 – Onboard management prearrangement (computer)	(002//08R//30R)	C2b
5266 – Accelerator pedal position sensor	(27M)	C2c
5300 – Windscreen wiper relay	(11M)	B2c
5314 – Windscreen wash pump	(11M)	A5d
6167 – Steering column fingertip controls		
– anti-theft	(01N)	C2b
– side/parking lights	(04M)	C2b
– main/dipped beam headlights	(04R)	C2b
– fog driving lamps / fog lamps	(04S)	C2b
– horn / direction indicator	(05M)	C2b
– windscreen wiper / screen wash / headlamp wash	(11M)	C2b
– cruise control	(27M)	C2b
7519 – Diagnostics socket	(07M)	C3c
8059 – Electric or hydraulic retardation control	(16M/N/P)	C2d
8178 – Parking brake indicator air pressure switch	(27M)	C2d
8466 – Neutral switch	(02N)	B5d
8546 – Self-tracking axle safety relay	(28S)	A2c
8575 – Cab tilting control	(29M)	A5d
8644 – Clutch switch	(27M)	C2c
9201 – Vehicle master ECU (VECU)	(002//003//004//08R//27M/N)	B2b

# 70 116

B123



701361 (27M)